

## Three-phase Voltage Monitoring Relay JVR/JVRW

### ■ Features

- Compact modular size
- Three-phase monitoring of phase sequence, phase loss, over- and undervoltage and phase unbalance
- Adjustable over- and undervoltage threshold ( for JVRW)
- Powered by the measuring circuit
- 1 C/O contact
- 5 LEDs for status indication



### ■ Protective Functions

- Phase Loss(Failure)
- Phase Sequence (Reversal)
- Phase Unbalance (Asymmetry)
- Undervoltage
- Overvoltage

### ■ Applications

- Pumps
- Fans
- Refrigeration Units
- Blowers
- Motors
- Compressors
- Lifts, Elevators
- Cranes
- Mining excavators and conveyors

### ■ Order information

JVR — 38 0 A  
1 2 3 4

#### 1. Basic Model

#### 2. Rated Voltage Code

22-220VAC, 38-380VAC, 44-440VAC, 46-460VAC

#### 3. Function Code

Code	phase sequence	phase loss	phase unbalance	over voltage	under voltage
0	●	●	●	●	●
1	●	●	●		
2		●	●	●	●
3	●	●			
4				●	●

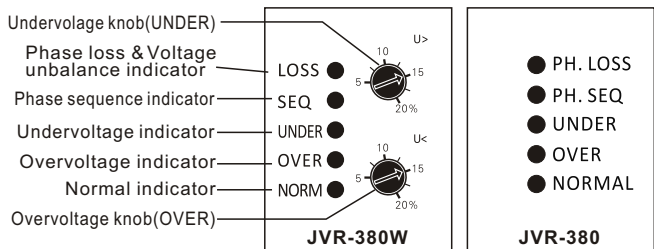
#### 4. Voltage Threshold (enable for JVR-xx0, JVR-xx2, JVR-xx4)

Type Suffix	Overvoltage	Undervoltage
blank	+15%	-15%
A	+10%	-10%
B	+12.5%	-10%
C	+15%	-12.5%
W	+5% ~ +20% adjustable	-5% ~ -20% adjustable
T	customized	customized

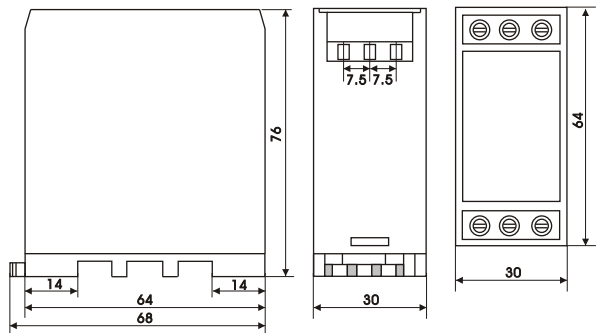
### ■ Technical data

Model	JVR/JVRW
Input circuit = Measuring circuit	L1, L2, L3
Rated voltage	220VAC, 380VAC, 440VAC, 460VAC, 50/60Hz
Monitoring functions	phase sequence, phase loss, overvoltage, undervoltage, phase unbalance
Delay time for overvoltage and undervoltage	5-8s fixed
Delay time for phase loss, phase unbalance, phase sequence	1-2s fixed
Reset time	0.5s fixed
Indicators	phase sequence, phase loss, overvoltage, undervoltage, normal
Output contacts	1 C/O
Contact capacity	3A, 250VAC (resistive load)
Degree of protection	IP 20
Working conditions	-25°C ~ 65°C, ≤85%RH, non-condensing
Mechanical durability	1000000 cycles
Dielectric strength	>2kVAC 1min
Weight	110g
Dimensions (H x W x D)	68X30X76mm
Mounting	DIN rail

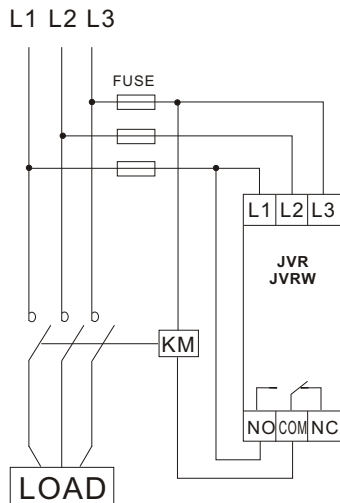
## ■ Front Panel View



## ■ Dimensions(mm)



## ■ Wiring Diagram



Relay contact position shown in 'Poweroff' condition

**GENERAL SAFETY**  
 POTENTIALLY HAZARDOUS VOLTAGES ARE PRESENT AT THE  
 TERMINALS OF THE RELAYS.  
 ALL ELECTRICAL POWER SHOULD BE REMOVED WHEN  
 CONNECTING OR DISCONNECTING WIRING.  
 THIS DEVICE SHOULD BE INSTALLED AND SERVICED BY  
 QUALIFIED PERSONNEL.

Note: specifications are subject to change without notice.



**Ginri Power Automation Co., Ltd.**

No.337,Kaichuang Road,Baitawang Industrial Distrit,  
 Beibaixiang Town,Yueqing City,Zhejiang Province,China  
 Tel:+86-577-57198185 Fax:+86-577-62982268  
 E-mail: info@ginri.com http:www.ginri.com