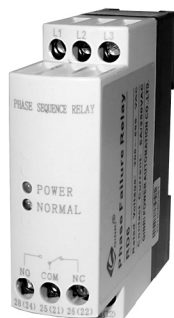


Phase Sequence and Phase Loss Relay RD6/JVRD6



Note: Model RD6 is changed to Model JVRD6, the function remains the same. Kindly please use JVRD6 for new orders.

■ Features

- Three-phase monitoring of phase sequence, phase loss
- Powered by the measuring circuit
- 2 C/O contacts
- 2 LEDs for status indication

■ Protective Functions

- Phase Loss (Failure)
- Phase Sequence (Reversal)

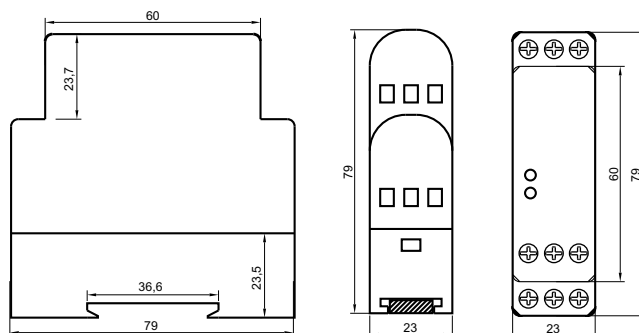
■ Applications

- Pumps
- Fans
- Refrigeration Units
- Blowers
- Motors
- Compressors
- Lifts, Elevators
- Cranes
- Mining excavators and conveyors

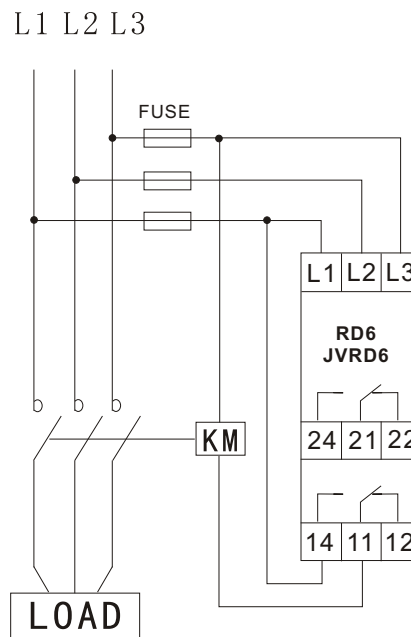
■ Technical data

Model	RD6/JVRD6
Input circuit = Measuring circuit	L1, L2, L3
Rated voltage	200-500VAC, 50/60Hz
Monitoring functions	phase loss, phase sequence
Indicators	normal, power
Output contacts	2 C/O
Contact capacity	6A, 250VAC (resistive load)
Degree of protection	IP 20
Working conditions	-25°C~65°C, ≤85%RH, non-condensing
Mechanical durability	1000000 cycles
Dielectric strength	>2kVAC 1min
Weight	130kg
Dimensions (H x W x D)	79X23X79mm
Mounting	DIN rail

■ Dimensions (mm)



■ Wiring Diagram



Relay contact positions shown in 'Poweroff' condition

GENERAL SAFETY
POTENTIALLY HAZARDOUS VOLTAGES ARE PRESENT AT THE
TERMINALS OF THE RELAYS.
ALL ELECTRICAL POWER SHOULD BE REMOVED WHEN
CONNECTING OR DISCONNECTING WIRING.
THIS DEVICE SHOULD BE INSTALLED AND SERVICED BY
QUALIFIED PERSONNEL.



Ginri Power Automation Co., Ltd.

Kaichuang Road 337, Baitawang Industrial Zone,
 North Baixiang, Yueqing, Zhejiang, China

Tel: +86-577-57198185 Fax: +86-577-62982268

E-mail: info@ginri.com http://www.ginri.com